

Lens Replacement Procedure

Lens Removal

1. Remove the appropriate Actuator/Lens Assembly retention screw or screws.
2. Remove the Actuator/Lens assembly from the mirror housing.
3. While holding the back portion of the Actuator Assembly, sharply rotate the Lens Assembly counter clockwise per FIG B.
4. Remove the actuator assembly from the lens assembly per FIG C.

FIG A

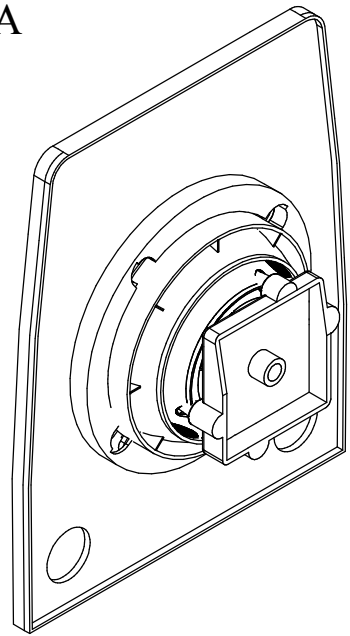
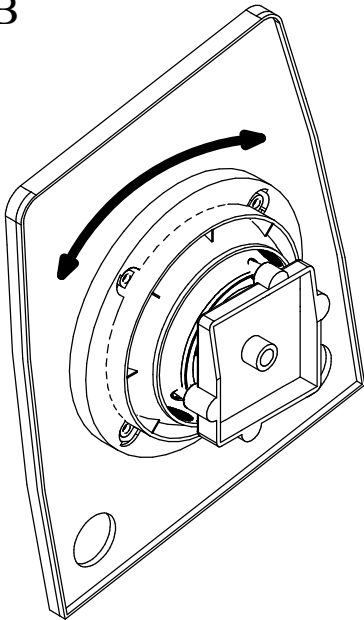


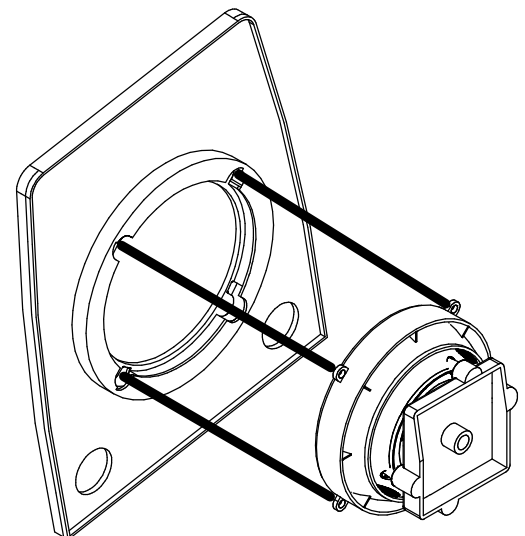
FIG B



Lens Replacement

1. Engage the Actuator Assembly tabs into the Lens Assembly tab receivers per FIG C.
2. While holding the back portion of the Actuator Assembly, sharply rotate the Lens Assembly clockwise per FIG B.
3. Return the Actuator/Lens Assembly to the mirror housing.
4. Replace the appropriate Actuator/Lens Assembly retention screw or screws.

FIG B



Mirror Lite Co., Inc.

P.O. Box 358
20950 Woodruff Road
Rockwood, MI 48173
800-843-4981